

J6412S-IM-A

3.5" SBC, Intel® Celeron® J6412 Processor, DDR4 SO-DIMM, DP, HDMI, LVDS, Dual-LAN, Multiple COM, 9-36V DC-in put

Features

- Up to 6 COM ports, includes 2 x RS-232/422/485, 4 x RS232
- Supports 3 display configuration by multiple interface: DP/HDMI/LVDS
- Supports I2C, SMBus and GPIO
- Wide temperature range endurance: -40~85 °

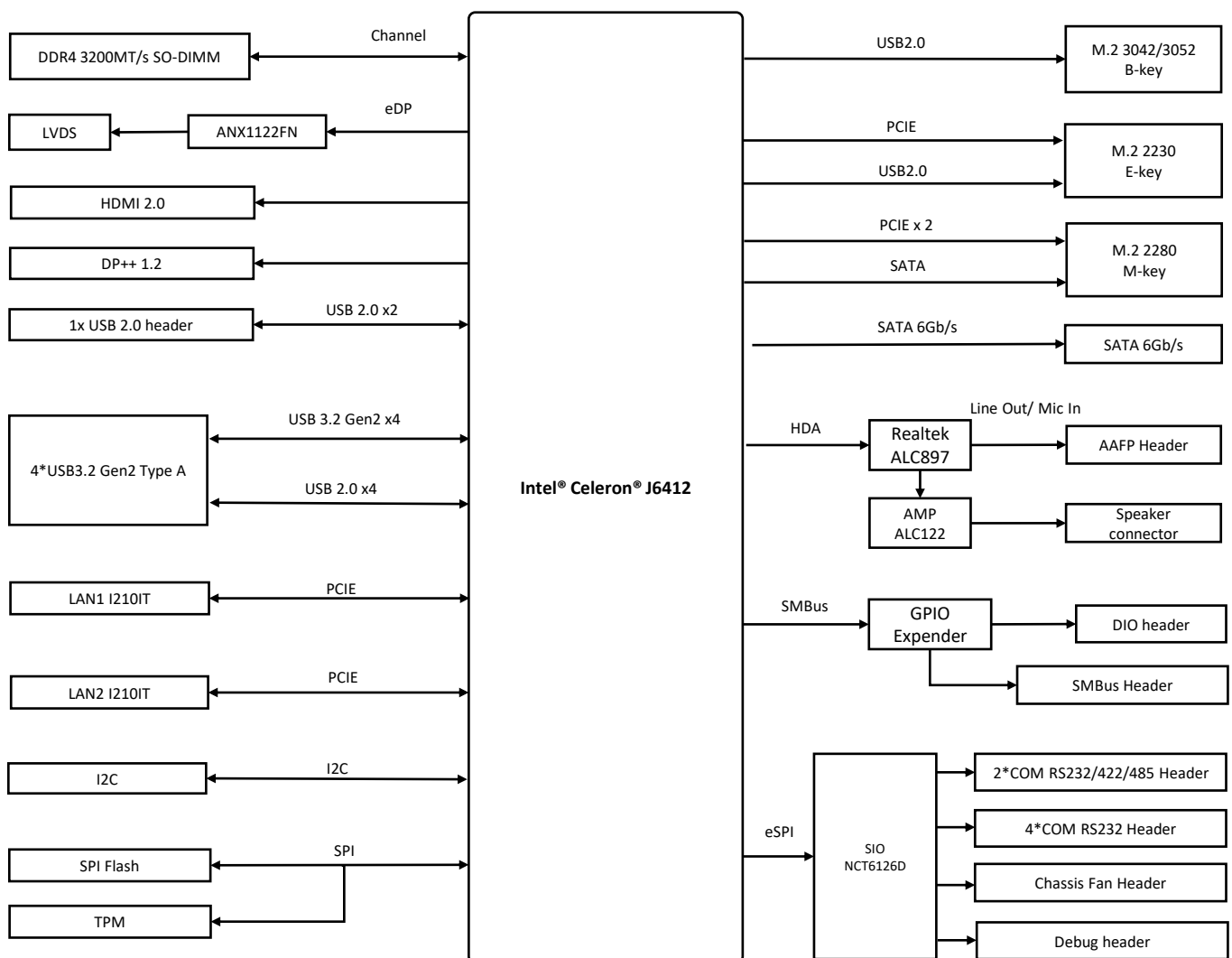


Specifications

Processor System	SoC	Intel® Celeron® J6412
	Technology	DDR4
Memory	Max.	Max. 32GB
	ECC support	In-band ECC supported by SOC
	Socket	1 x SO-DIMM
Display	HDMI	1, Supports HDMI 2.0
	DP	1, Supports DP ++1.2
	eDP, LVDS	Default: LVDS By request: eDP
	Multi Displays	Triple displays configurations: HDMI + DP + LVDS or HDMI + DP + eDP
Expansion Slot	M.2	1 x E key, type 2230 for WIFI/BT device 1 x M key, type 2280 (SATA mode & PCIe x2 mode) 1 x M.2 B key (USB 2.0)
Ethernet	Speed	10/100/1000Mbps
	Controller	2 x Intel® i210IT, supports WOL/PXE
	Connector	2 x RJ-45
Audio	Codec	Realtek® ALC897
	Connector	Line-Out, Mic-in
Storage	SATA port	1 x SATA Gen 3.0, up to 6Gb/s
Rear I/O	HDMI	1
	Display Port	1
	USB3.1 Gen1	4 (Type A)
	LED indicators (@PCB back)	Power status, HDD
	DC-in jack	1 (by request)
	Ethernet	2 x Intel® i210IT, supports WOL/PXE
Internal Connector	COM	6 (2 x RS-232/422/485, 4 x RS-232)
	USB2.0	1, support additional 2 x USB2.0 connectors
	Chassis Fan Header	1 (PWM+DC Mode)
	Chassis Intrusion Header	1
	Front Panel Audio Header (AAFP)	1
	System Panel Header	1 (10-1 Pin)
	Clear CMOS Jumper	1
	SATA Power Header	1
	COM Debug Header	1
	SMBus Header	1
	I ² C Header	1
	GPIO Header	1 (8-bit)
	AT/ATX jumper	1
	AMP header	1
Power Connector	1 x 4-pin ATX Power Connector	

Watchdog Timer	H/W	YES
Security	TPM	1 x SPI TPM header
Power	Power Type	DC power input
	Voltage	9V-36V
OS & Software Support	Microsoft Windows	Windows® 10 (64bit) / Windows 10 IoT Enterprise
	Linux	Ubuntu
	ASUS IoT Suite	<input checked="" type="checkbox"/> HW Monitor <input checked="" type="checkbox"/> Power Scheduling <input checked="" type="checkbox"/> Fan Control <input checked="" type="checkbox"/> Watch Dog Timer <input checked="" type="checkbox"/> GPIO
	User Interface	<input checked="" type="checkbox"/> API <input checked="" type="checkbox"/> GUI
Environment	Operating Temperature	0-60°C
	Non-Operating Temperature	0-60°C
	Relative Humidity	Operating: 40°C@95% relative humidity
Dimension	Form Factor	3.5", 146 x 105 mm
Certification	EMC, Safety	CE, FCC, VCCI, ISED, EN62368

Block Diagram



Order Information

Model name	Part number	Description
J6412S-IM-A	90ME09P0*	3.5 SBC, J6412 , DDR4 SO-DIMM, DP, HDMI, LVDS, Dual-LAN, Multiple COM, 9-36V DC-input

* The part number might vary for different regulations and package. Please consult the TPM in your region for exact 90PN.