

PE2100N

Arm System, NVIDIA Jetson, LPDDR5, USB3, GbE, 10G LAN, 4 POE LAN, HDMI, M.2 E, M.2 M, M.2 B, 12-36V

Features

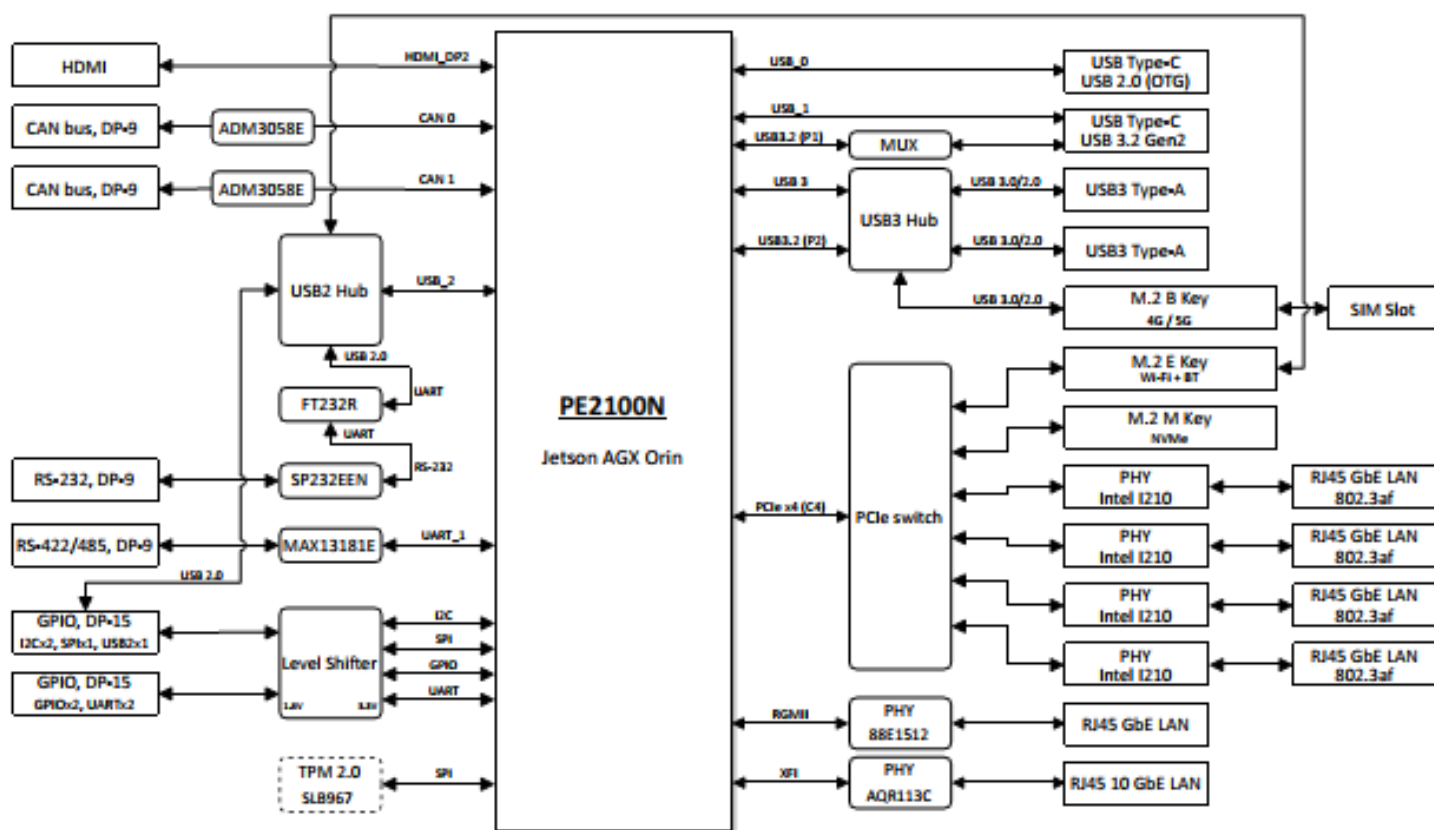
- Intelligent Edge AI System with NVIDIA Jetson™ AGX Orin™
- Fanless design for harsh environment needed
- Ready to connect Wi-Fi, BT & LTE by optional modules
- Wide range of power input and operating temperature



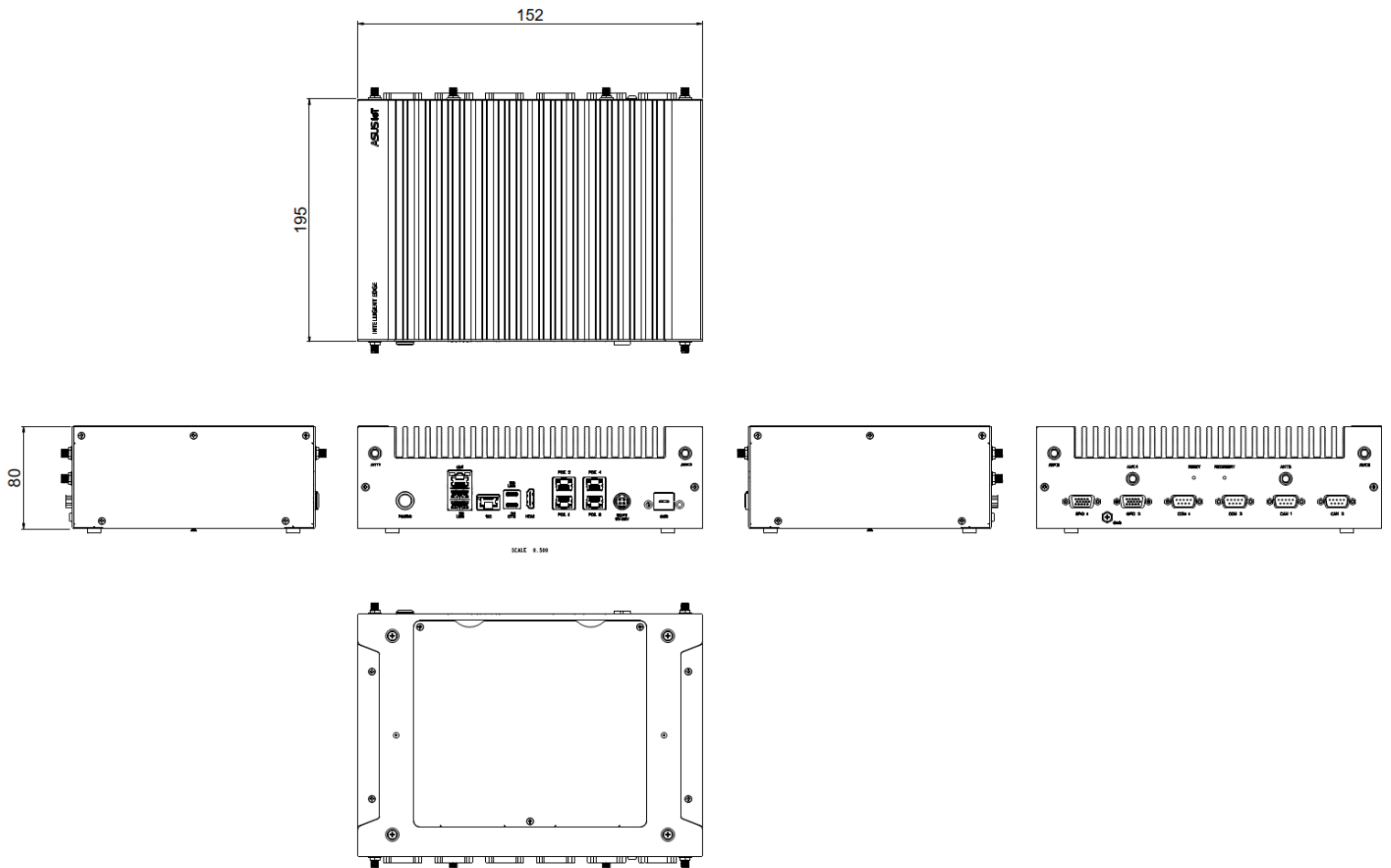
Specifications

Processor System	SOM	Jetson AGX Orin 32G	Jetson AGX Orin 64G
	CPU	8 x Arm® Cortex®-A78AE v8.2	12 x Arm® Cortex®-A78AE v8.2
	GPU	1792-core NVIDIA Ampere GPU with 56 Tensor Cores	2048-core NVIDIA Ampere GPU with 64 Tensor Cores
	Memory	32 GB 256-bit LPDDR5	64 GB 256-bit LPDDR5
	eMMC	64 GB	
Wired Interface	Ethernet	1 x 10/100/1000 Mbps, RJ45 1 x 10 Gbps, RJ45	
	PoE Interface	4 x 10/100/1000 Mbps, RJ45, (802.3af 15W/All Port, or 802.3at 30W/Port 1&2)	
	USB (or Header)	1 x USB 3.2 Gen2, Type-C 2 x USB 3.2 Gen1, Type-A 1 x USB 2.0, Type-C for OS Flash 1 x USB 2.0, DB15	
	COM	1 x RS-232, DB9 1 x RS-422/485, DB9	
	CAN	2 x CAN bus 2.0b, DB9	
	GPIO	2 x I2C & 1 x SPI & 1 x USB 2.0, DP15 5 x GPIO & 2 x UART, DP15	
	Display	1 x HDMI 2.0b, 3840 x 2160 @60Hz	
Wireless Interface	Wi-Fi	Optional	
	Bluetooth	Optional	
	Cellular	Optional	
	GPS	Optional	
Expansion	M.2 M key	1 x 2280, for M.2 SSD (PCIe, OS disk, size option)	
	M.2 E key	1 x 2230, for Wi-Fi/BT (PCIe, USB 2.0)	
	M.2 B key	1 x 3042/3052, for 4G/5G (USB 2.0/3.0)	
Slot	SD	1 x Micro SD	
	SIM	1 x Micro SIM	
Power	Power Input	12 to 36 VDC, 4-pin DC Jack	
Mechanical	Mounting	Wall-mount / DIN rail (Optional)	
	Dimensions	System: 270 x 195 x 80 mm	
	Weight	4.2 KG	
Environment	Operating Temp.	-25 ~ up to 55°C	
	Storage Temp.	-40 ~ 85°C	
	Relative Humidity	10 ~ 95% (non-condensing)	
Security	TPM	Optional	
Others	Watch Dog Timer	Yes. HW WDT	
	Operating System ¹	Ubuntu Desktop	

Block Diagram



Dimension



Ordering Information

PN	SoM	DRAM	Wi-Fi/BT* (M.2 E-Key)	SSD* (M.2 M-Key)	4G/5G* (M.2 B-Key)	O.P. Temperature	PSU*	OS*
90AN02D1-B*	Jetson AGX Orin	64 GB	option	option	option	-20~50	option	option
90AN02D1-B*	Jetson AGX Orin	32 GB	option	option	option	-20~50	option	option

* Optional and part number might vary for different regulations and package. Please consult the local sales representative for the exact 90PN.

Packing List

Description	Qty
Wall mount bracket set	1

Optional Accessories: (purchased separately)

Item#	Description
Wi-Fi/BT Module	
RTL8852BE	M.2 2230 802.11 a/b/g/n/ac/ax (Wi-Fi 6) + BT 5.2
RTL8852CE	M.2 2230 802.11 a/b/g/n/ac/ax (Wi-Fi 6E) + BT 5.2
4G Module	
FM101-*	M.2 3042 LTE Cat.6 module
LN920A6-*	M.2 3042 LTE Cat.6 module
5G Module	
FM160-*	M.2 3052 5G NR module
FN990A*	M.2 3052 5G NR module
MV32-*	M.2 3052 5G NR module
Wi-Fi/BT ANTENNA	
14008-04490000	Omni-directional rubber duck Wi-Fi antenna, 2.4/5/6GHz, 3.83dBi
4G/5G ANTENNA	
14008-*	Omni-directional rubber duck LTE/NR antenna, 617-960,1410-1610,1710-2690,3300-7125MHz, 4dBi
SSD	
1TB	SSD G3X4 1TB M2 2280 NVME
512G	SSD G3X4 512GB M2 2280 NVME
256G	SSD G3X4 256GB M2 2280 NVME

* The part number might vary due to part number revision.

Optional Accessories: (purchased separately)

Item#	Description
ADAPTER	
0A001-*	221W Power adapter, input 100 - 240Vac, output 24Vdc / 9.2A, C14
POWER CORD	
14*	C14 Power cord with United States (US) plug
14*	C6 Power cord with Europe (EU) plug
14*	C6 Power cord with United Kingdom (UK) plug
14*	C6 Power cord with Japan (JP) plug
14*	C6 Power cord with Australia (AU) plug

* The part number might vary due to part number revision.